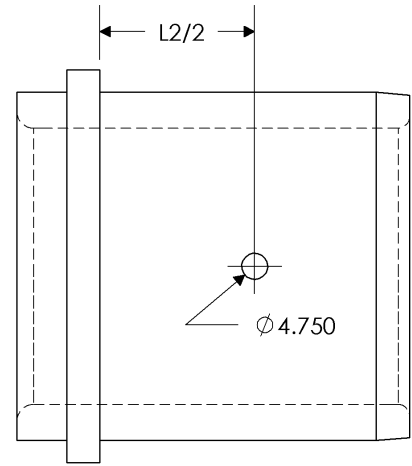
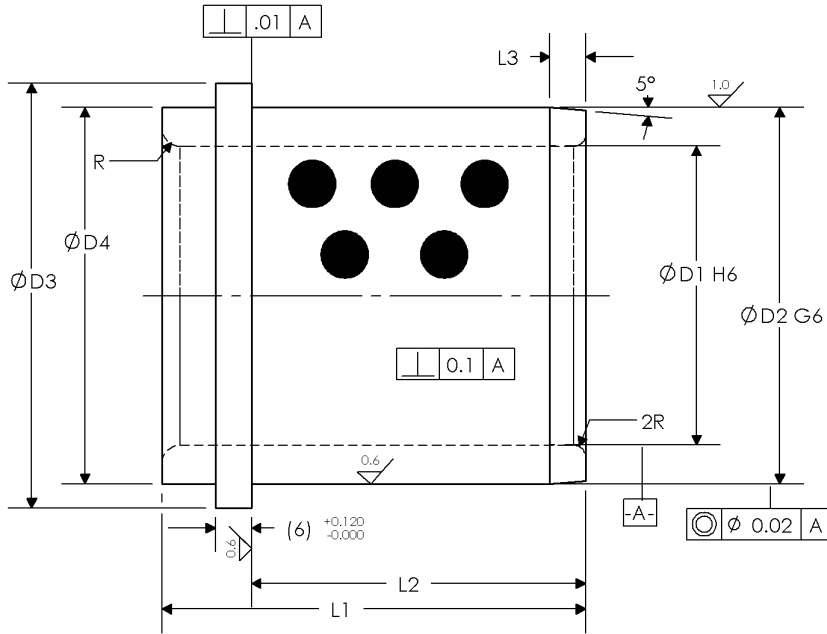


Standard with Graphite



Optional with Grease Grooves



Bushings to be supplied with (3) G720000C toe clamps. Evenly distributed graphite to cover 20-30% of the sliding surface. Graphite to be positioned to insure overlapping in a linear slide direction.

Materials: Aluminum Bronze w/Graphite Plugs

Catalog Number	NAAMS Number	D1	D1 tol	D2	D2 tol	D3	D4	L1	L2	L3	R	# Clamps
NM25	G612540	25	+0.016 -0.000	32	-0.009 -0.025	40	32	40	30	3	3	3
NM32	G613250	32	+0.016 -0.000	40	-0.009 -0.025	50	40	50	40	4	3	3
NM40	G614063	40	+0.016 -0.000	50	-0.009 -0.025	63	50	63	50	5	3	3
NM50	G615071	50	+0.016 -0.000	63	-0.010 -0.029	71	63	71	56	6	5	3
NM63	G616380	63	+0.019 -0.000	80	-0.010 -0.029	90	80	80	63	8	6	3
NM80	G618010	80	+0.019 -0.000	100	-0.012 -0.034	112	100	100	80	10	8	3
NM100	G611012	100	+0.022 -0.000	125	-0.014 -0.039	140	125	125	106	12	10	3
NM100S	—	100	+0.022 -0.000	125	-0.014 -0.039	140	125	77	58	12	12	3
NM115	G611114	115	+0.022 -0.000	140	-0.014 -0.039	155	140	140	120	12	10	3
NM125	G611216	125	+0.025 -0.000	160	-0.014 -0.039	180	160	160	132	12	12	6

Ordering Note: Add "P" suffix for grease grooves instead of graphite.